

Australian Patented

# Reno TRANSFORMER

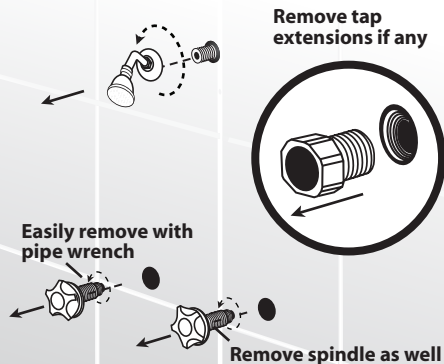
*Freestyle Shower*



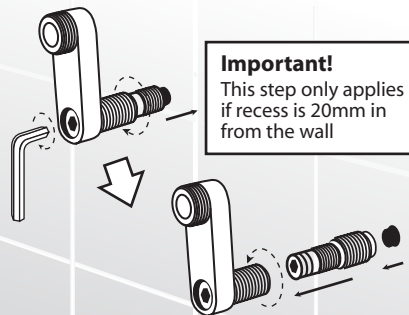
Installation Instructions

# INSTALLATION AT A GLANCE

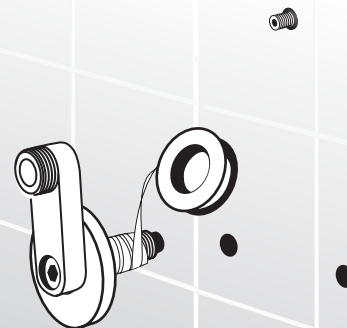
## 1 REMOVE EXISTING TAPS



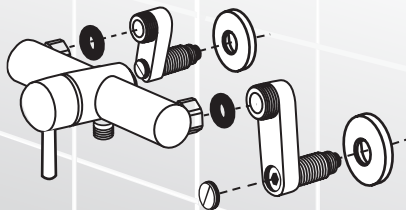
## ★ INSERT DEEPER EXTENSION\* (only if needed)



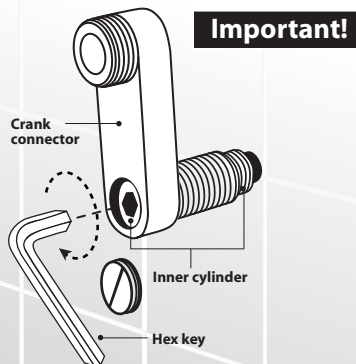
## 2 APPLY PLUMBING TAPE (use plenty of it)



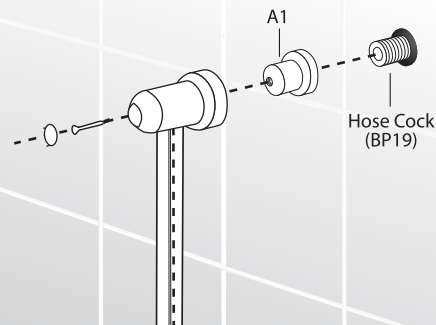
## 3 INSTALL MIXER



## 4 TIGHTEN INNER CYLINDER



## 5 INSTALL RAILBAR + SHOWER HEAD



# Installation Guide

## IMPORTANT

- The coverage of the distance between existing two handles : up to 265mm
- If the distance is over 265mm, contact Quoss
- Defects caused by improper care of the product or failure to observe any one or more of the following installation instructions will not be covered by Quoss Warranty.
- Note that we do not assume any responsibility for errors/faults or any damages occurring from installation.

### STEP 1 - Remove existing fixtures

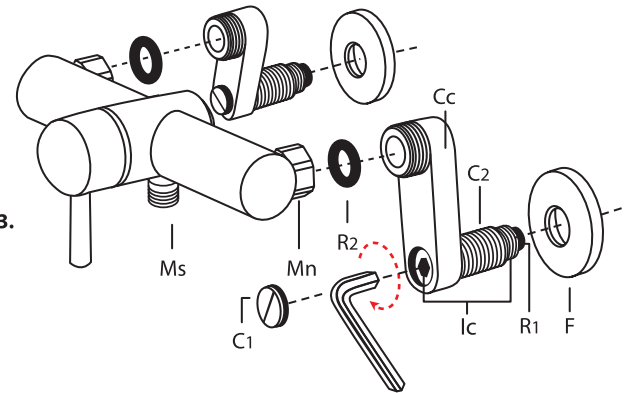
- a) Close the main water supply.
- b) Remove the existing shower tap handles including spindles/jumper valves and head.  
(Refer to Quoss Website [www.quoss.com.au](http://www.quoss.com.au) for more information).

### STEP 2 - Preinstallation

- a) Remove any tap extensions before installing any Quoss fittings.
- b) Check the distance between the tile wall and the recess tee. If the distance exceeds 20mm you need to use **deeper extension** (refer to instruction on the box).  
If the recess tee is flush to the tile or the distance does not exceed 20mm, proceed to **step 3**.

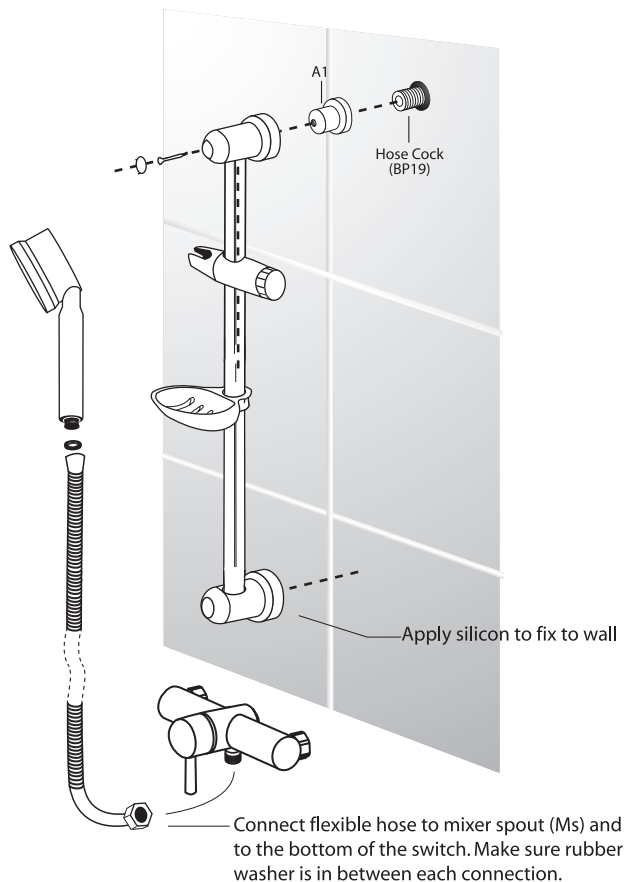
### STEP 3 - Installation of mixer

- a) Put flange cover into both crank connectors.
- b) Apply enough plumbing tape around the thread of crank connector.
- c) Check the rubber washer (R1) is on the tip of the crank connector.
- d) Screw in the crank connector into both the hot and cold water outlet until it tightens.
- e) Insert rubber washer (R2) onto the mixer nut (Mn) and connect to the crank connector.
- f) Once the mixer is firmly tightened use the supplied hex key to tighten the inner cylinder.  
**Tighten the inner cylinder clockwise until it reaches the very end of the recess tee.**
- g) Close the crank connector with the cap (C1) by turning clockwise.
- h) Turn on the main water supply and check to see if any water comes out from the hose cock (BP19) where the old shower head used to be. If no water comes out installation has been successful, proceed to **step 4**. If any water comes out, installation hasn't been done correctly. Refer to FAQ on Quoss website [www.quoss.com.au](http://www.quoss.com.au).

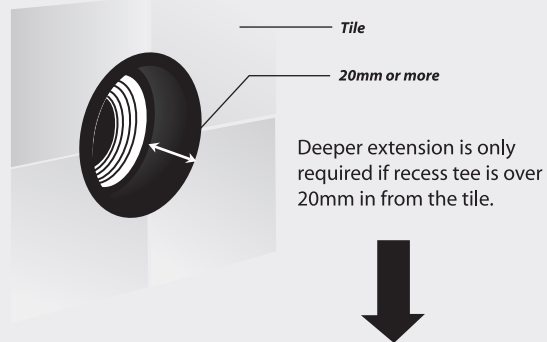


<b>Cc</b> crank connector	<b>R1</b> rubber washer	<b>Ms</b> mixer spout
<b>C1</b> cap	<b>R2</b> rubber washer	<b>Mn</b> cap
<b>C2</b> thread	<b>F</b> flange cover	<b>Ic</b> Inner cylinder

## STEP 4 - Installation of railbar



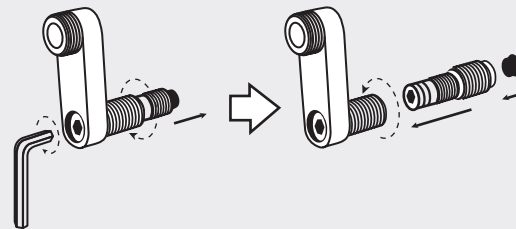
## DEEPER CASE



## DEEPER EXTENSION

REMOVE INNER CYLINDER

INSERT DEEPER EXTENSION



## TIP \* DEEPER EXTENSION TIP

1. The inner cylinder may be tighter to turn compared to the one from without the extension. Please make sure that it reaches to the far end of the recess tee.
2. In the event of removing the crank connector with the extension piece you must **first turn the inner cylinder anti-clockwise** with the hex key and then simultaneously turn the crank connector. This step is to avoid the extension piece separating from the crank connector.